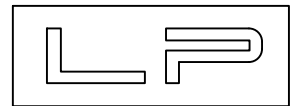
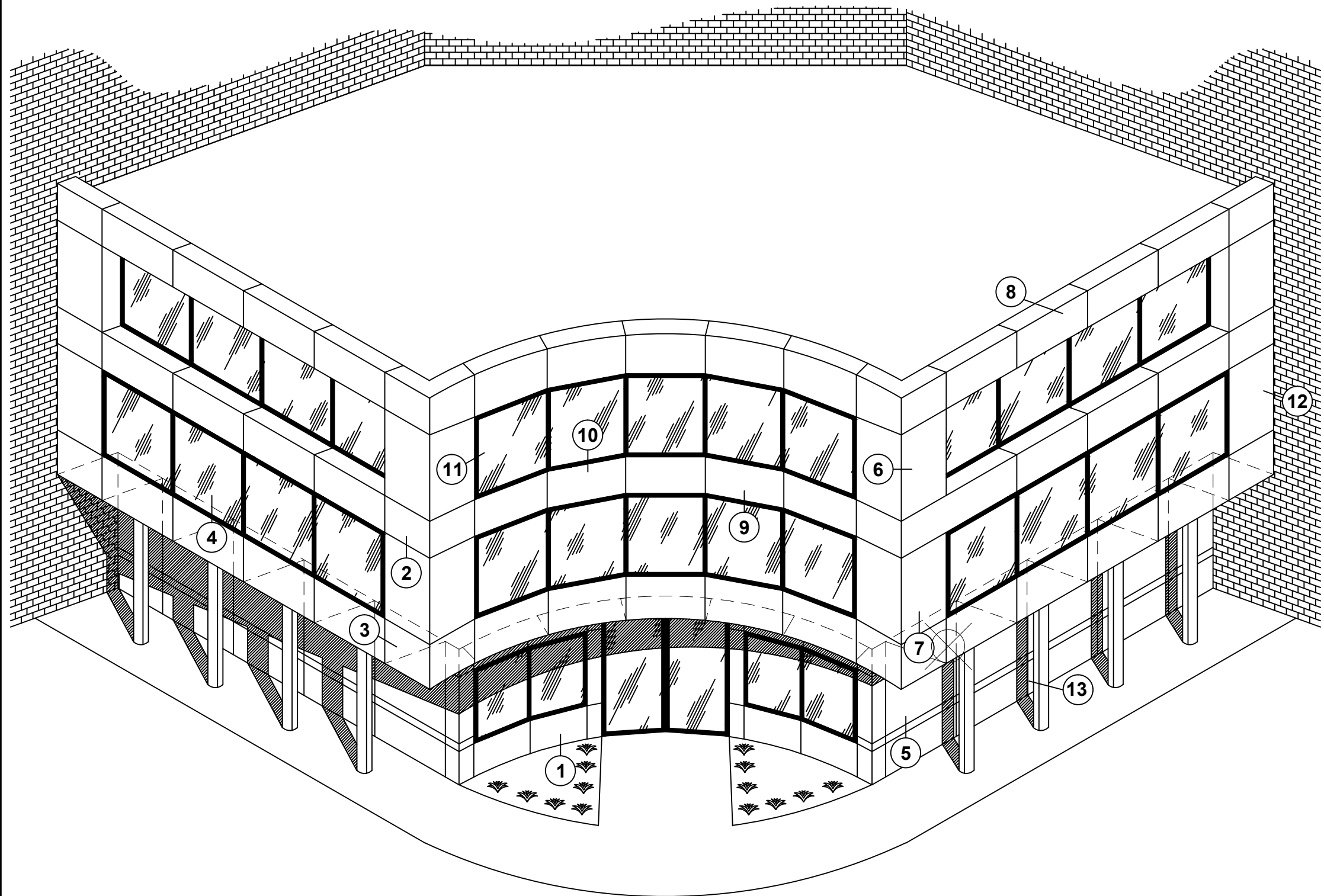


ACCU-TRAC



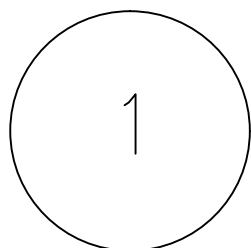
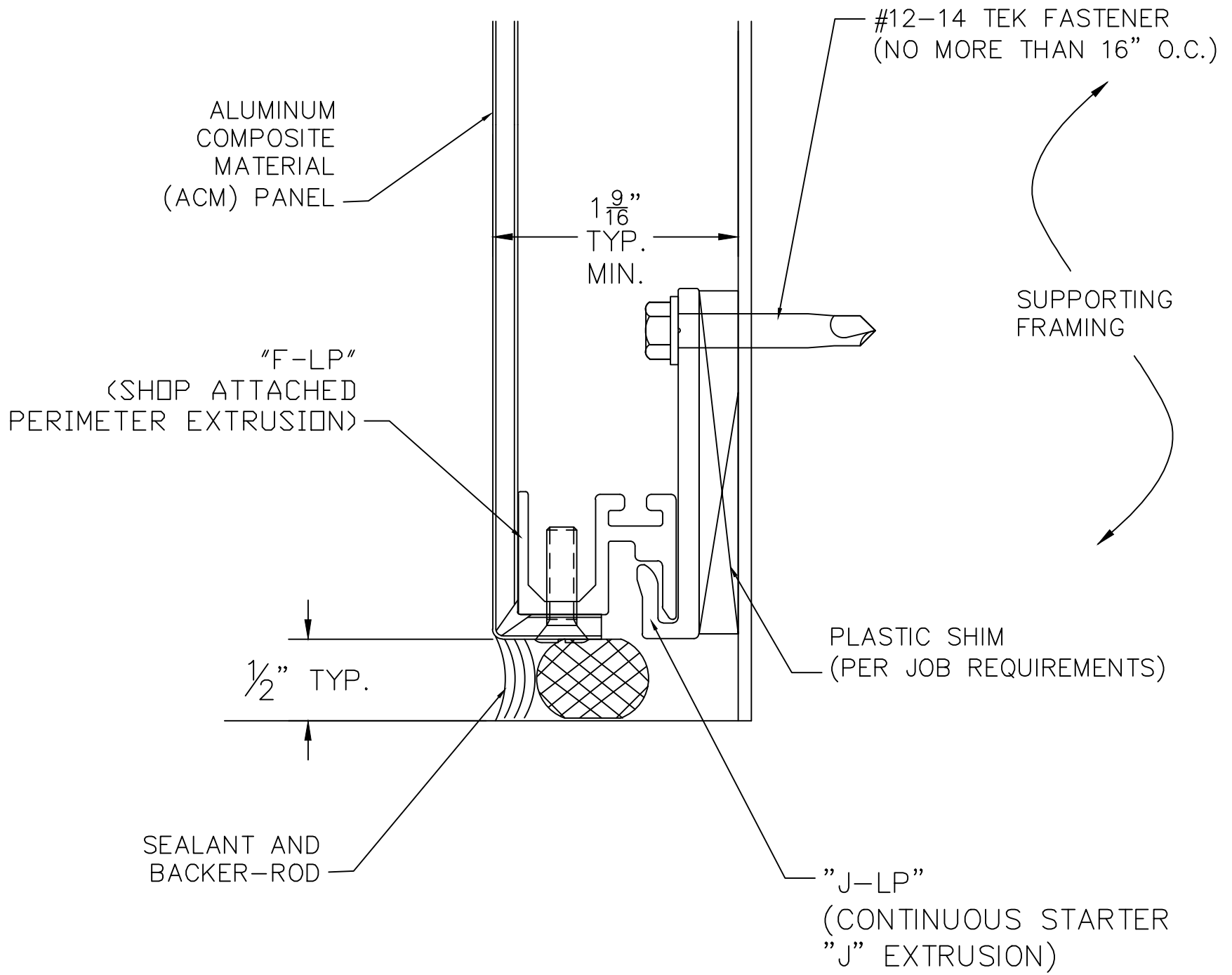
LOW PROFILE
ATTACHMENT SYSTEMS
TYPICAL DETAILS

ROUTE & RETURN EXPOSED SEALANT SYSTEM (ES SYSTEM)

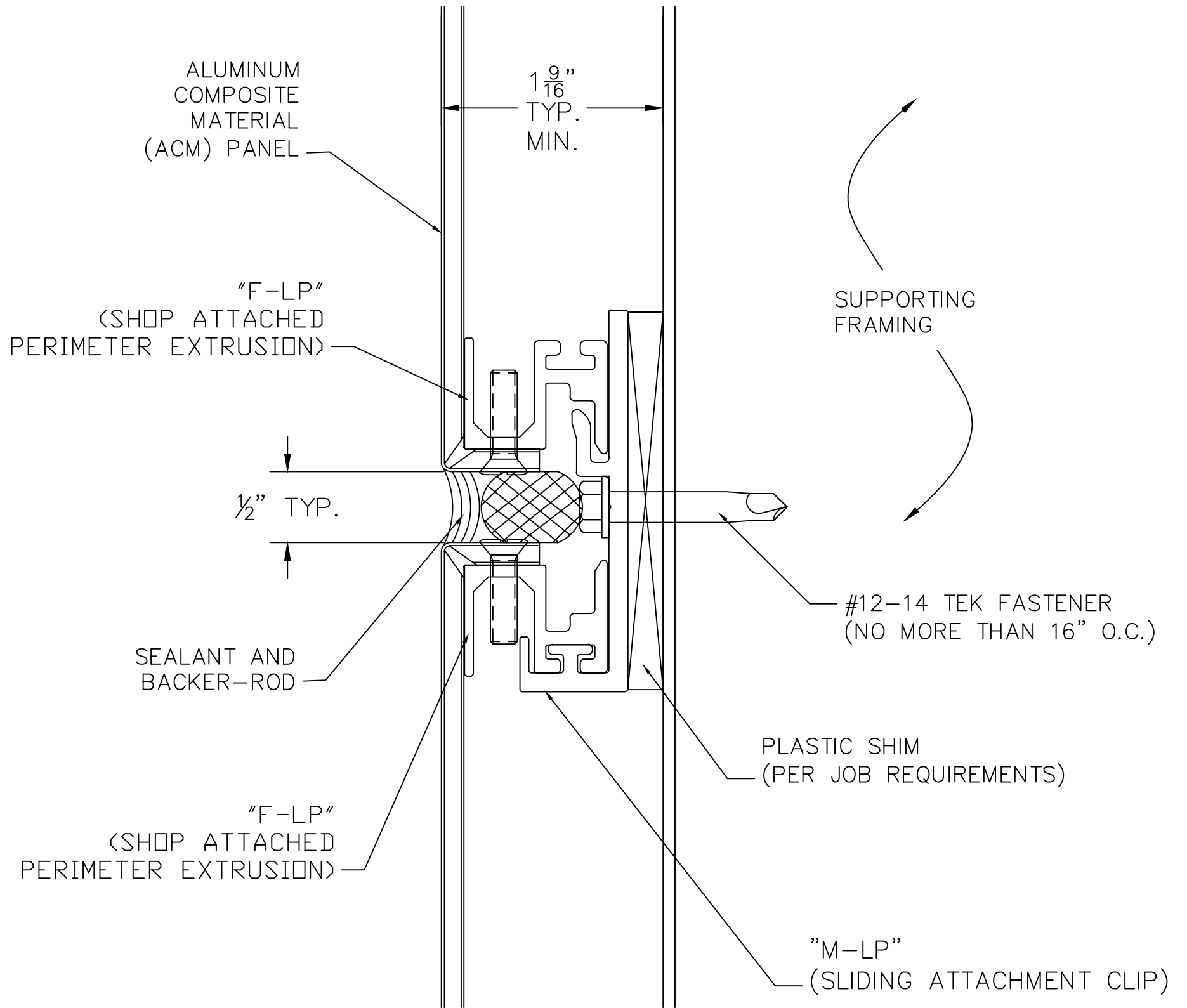


MANUFACTURED BY ALTECH PANEL SYSTEMS AND AVAILABLE THROUGH VARIOUS DISTRIBUTORS
1 JOHNSON ST. SUITE 118 CARTERSVILLE, GA. 30120 PHONE 678-721-4569

ALTECHPANEL.COM



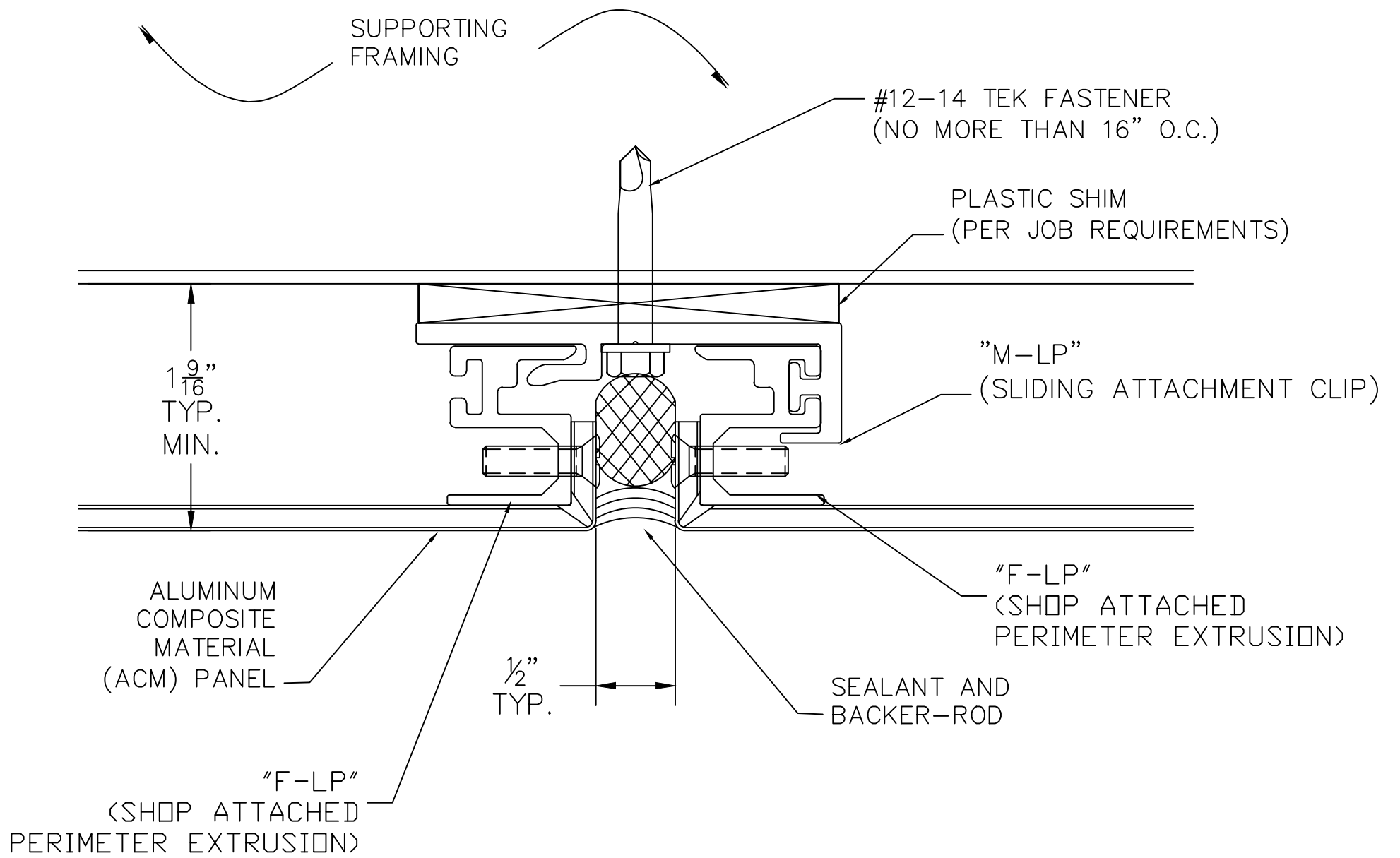
SILL TERMINATION
SCALE: NONE



2

TYP. HORIZONTAL JT.

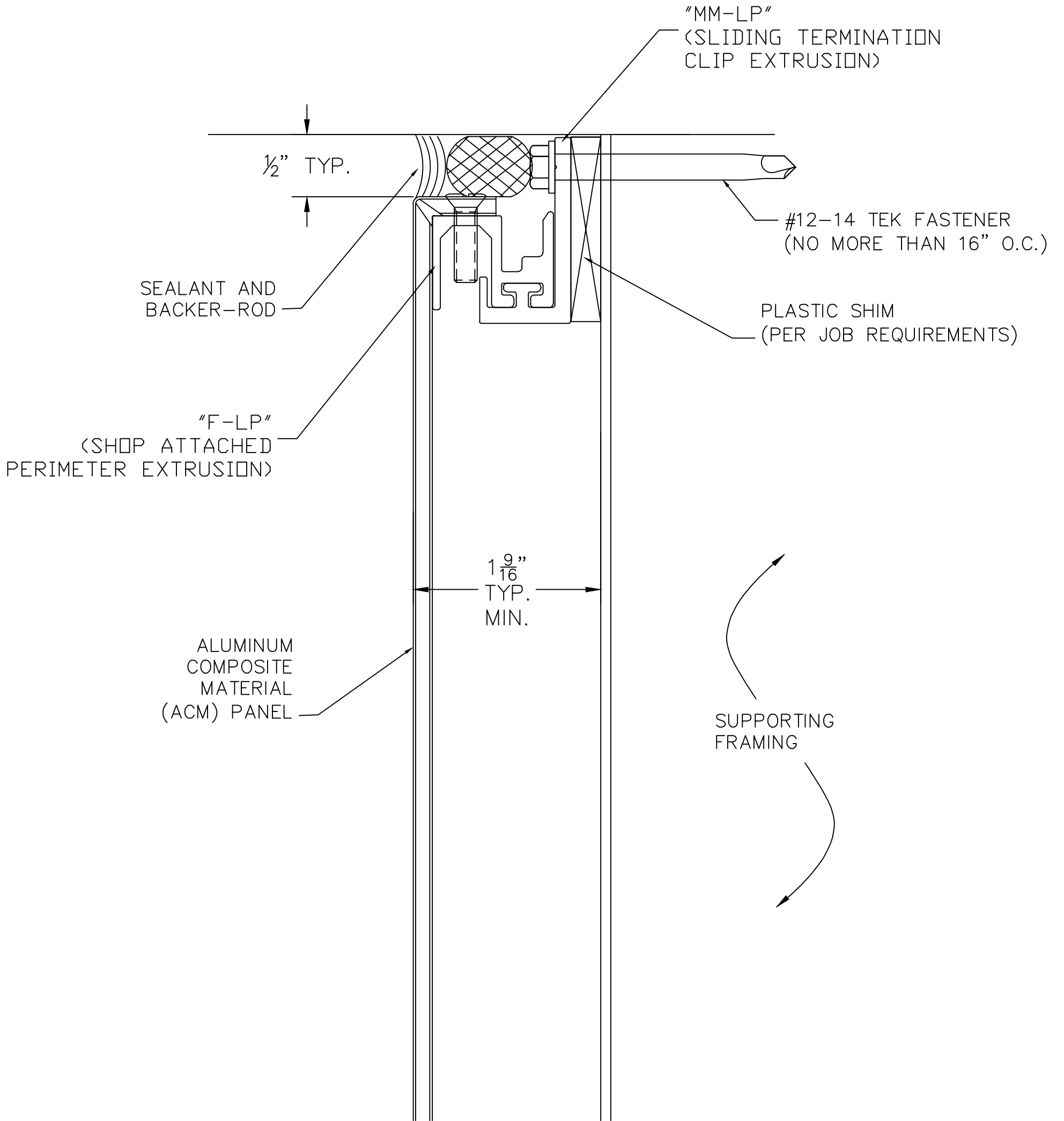
SCALE: NONE



3

TYP. VERTICAL JT.

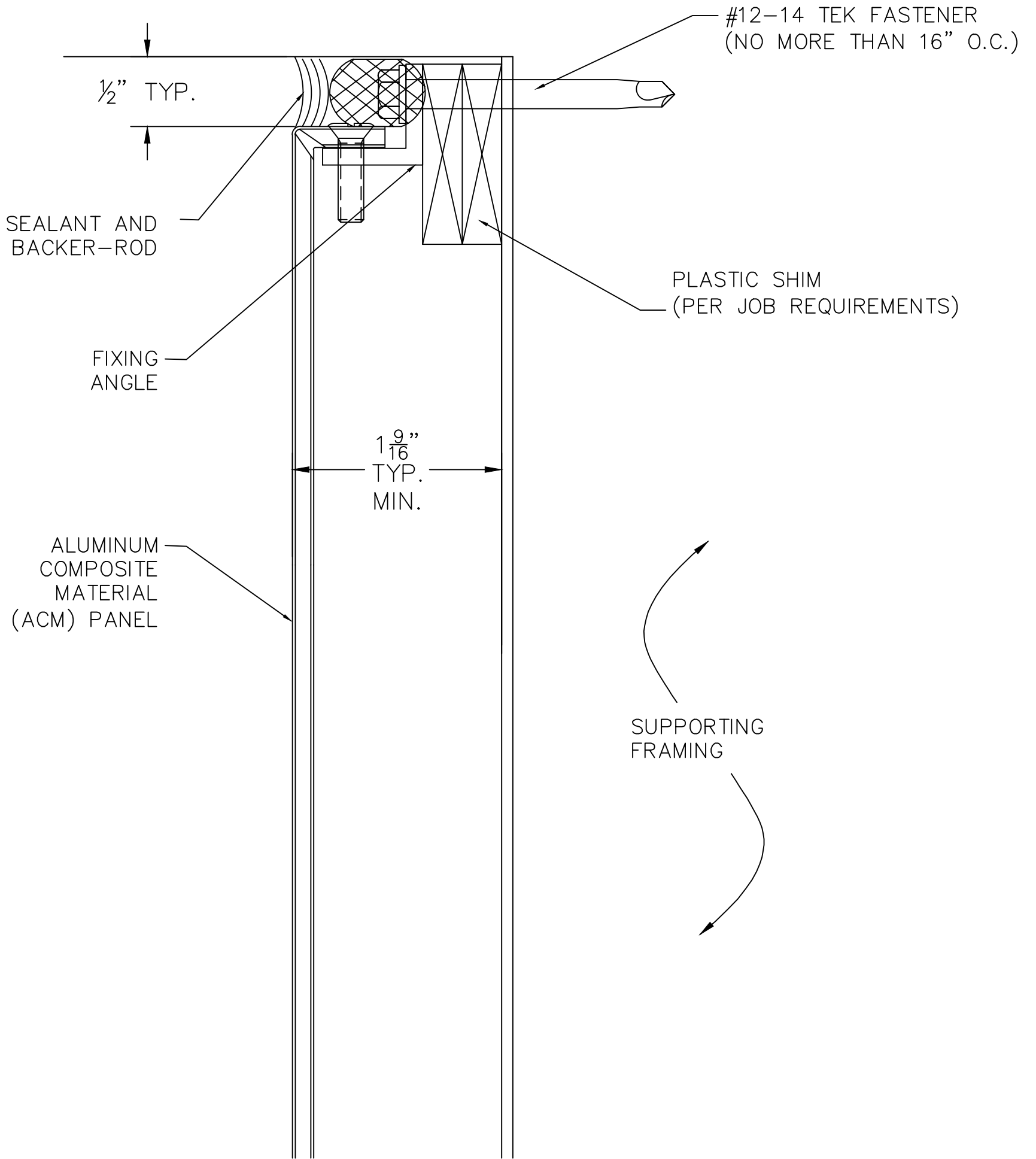
SCALE: NONE



4

HEAD TERMINATION

SCALE: NONE



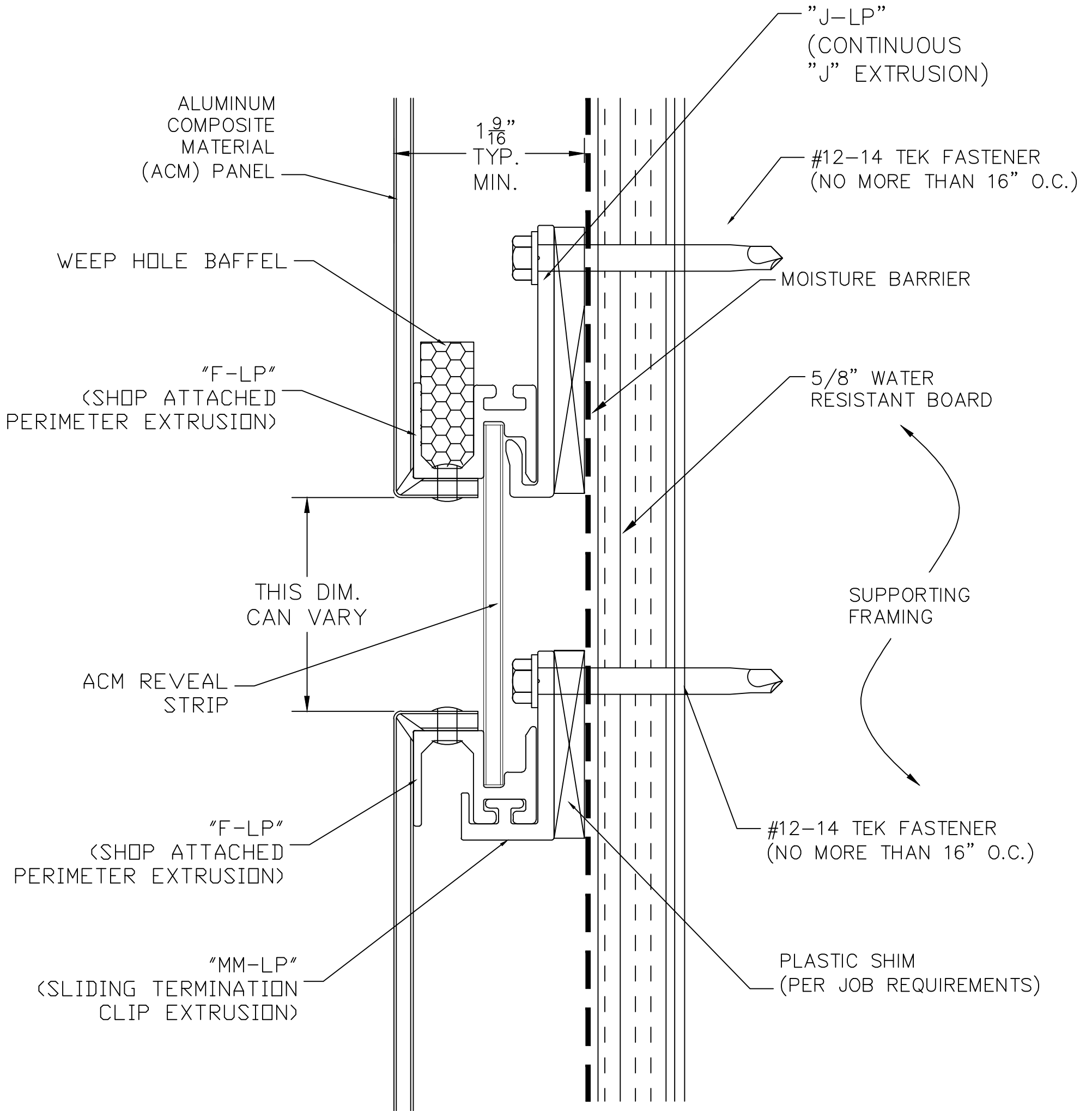
4A

ALT. HEAD TERMINATION

SCALE: NONE

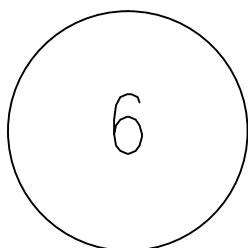
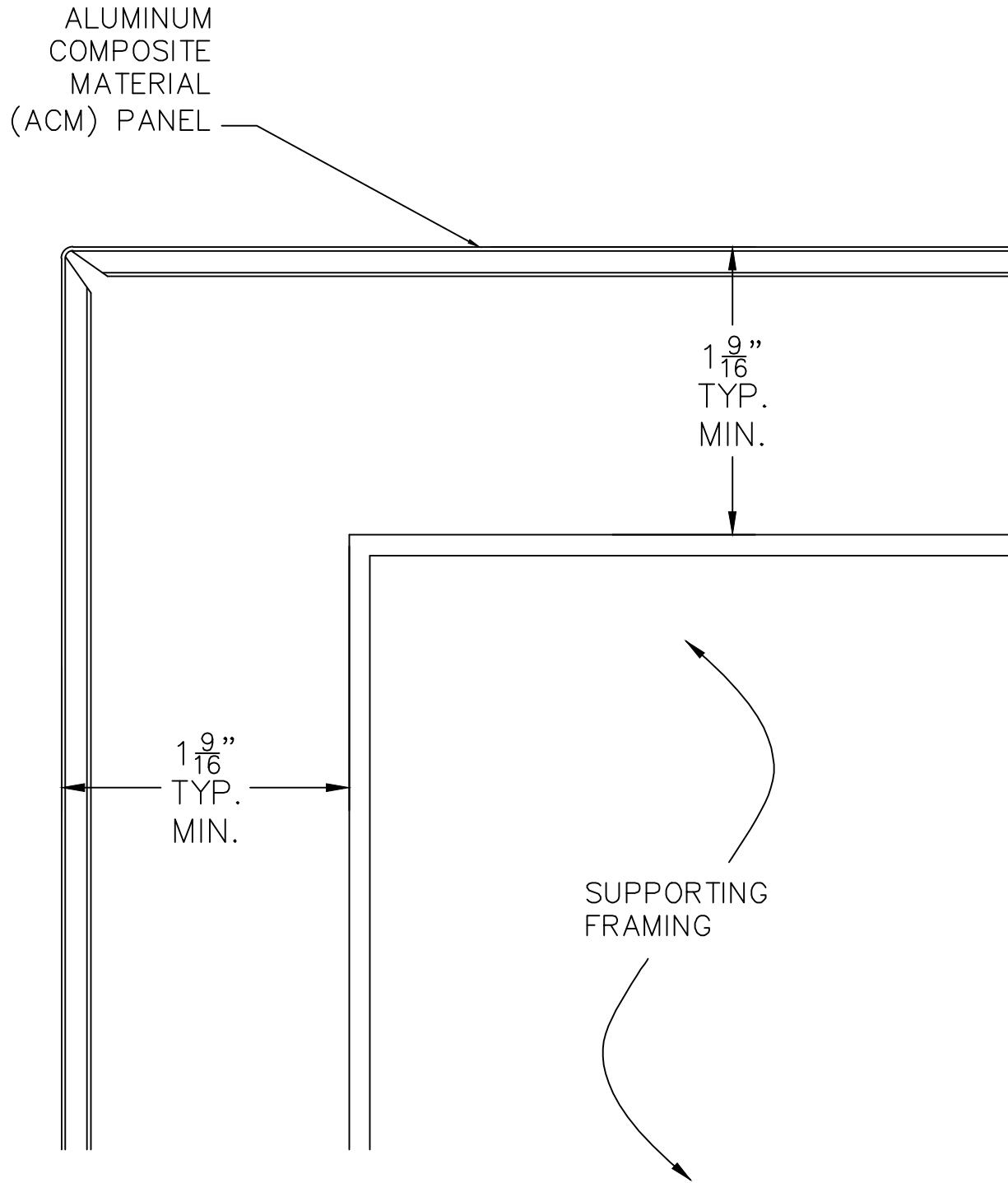
ACCU-TRAC (ES) ATTACHMENT SYSTEMS

1 JOHNSON ST. SUITE 118 CARTERSVILLE, GA. 30120 PHONE 678-721-4569



5

TYP. REVEAL JT.
SCALE: NONE

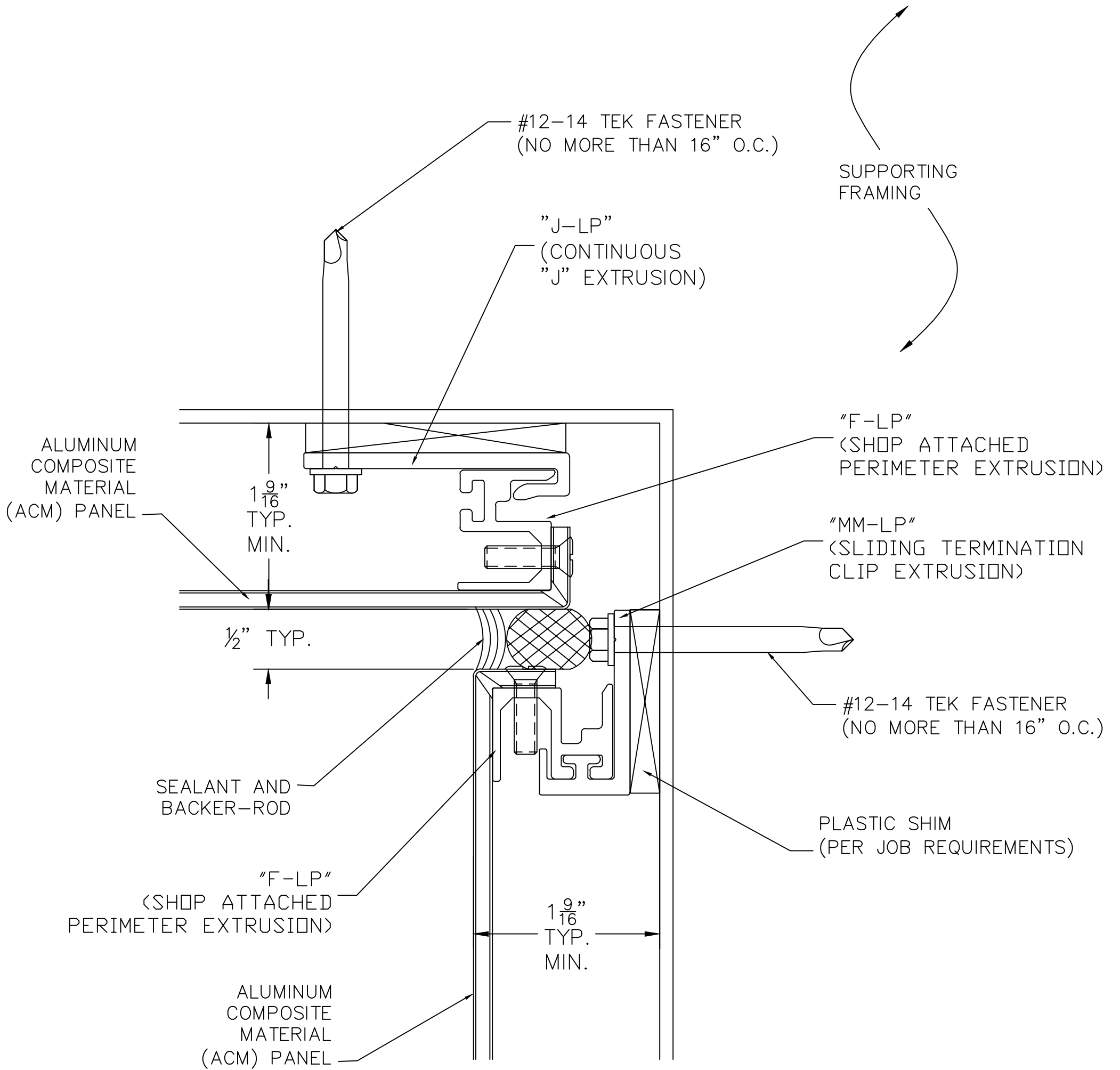


OUTSIDE CORNER

SCALE: NONE

ACCU-TRAC (ES) ATTACHMENT SYSTEMS

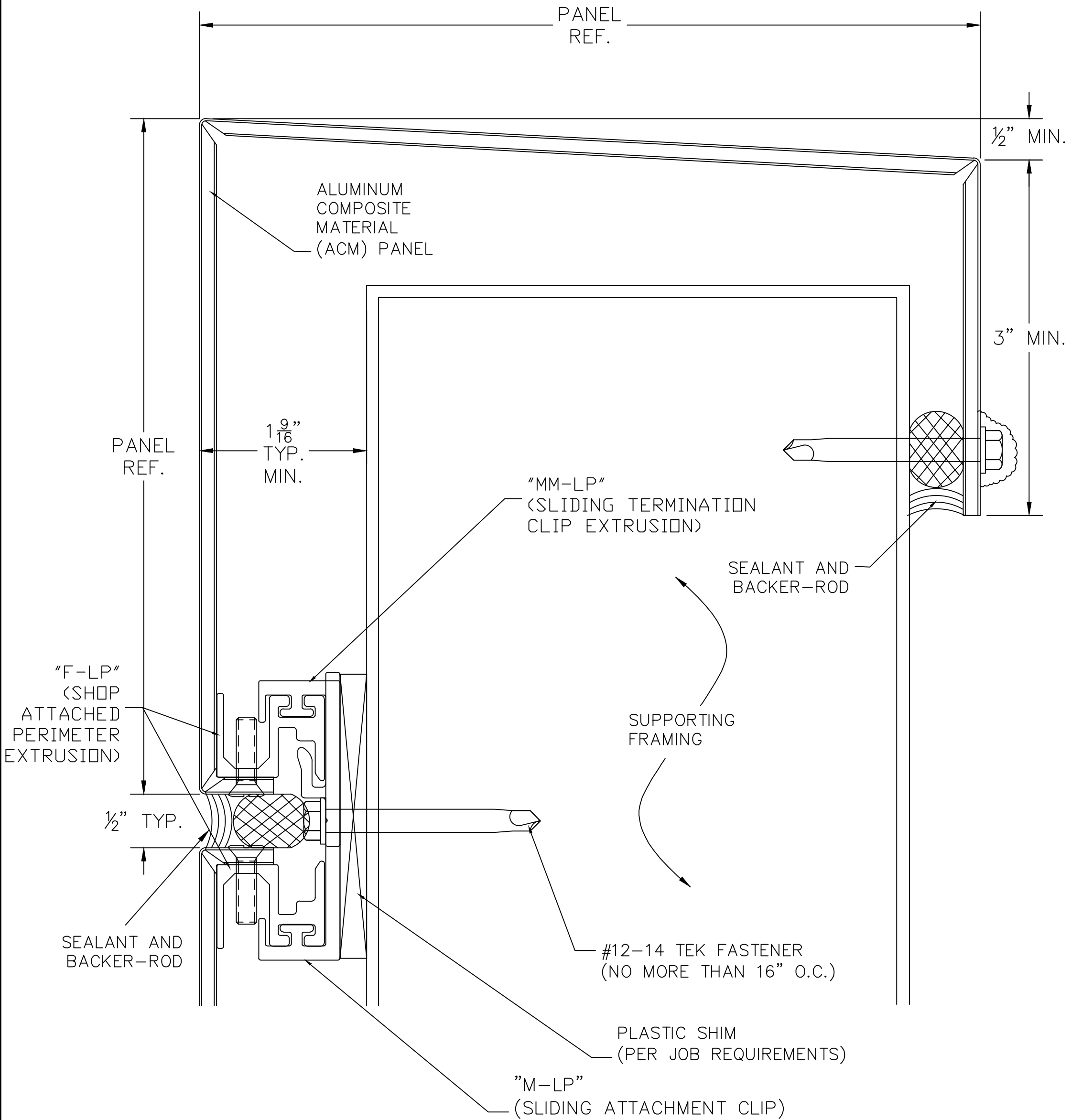
1 JOHNSON ST. SUITE 118 CARTERSVILLE, GA. 30120 PHONE 678-721-4569



7

SOFFIT CONDITION

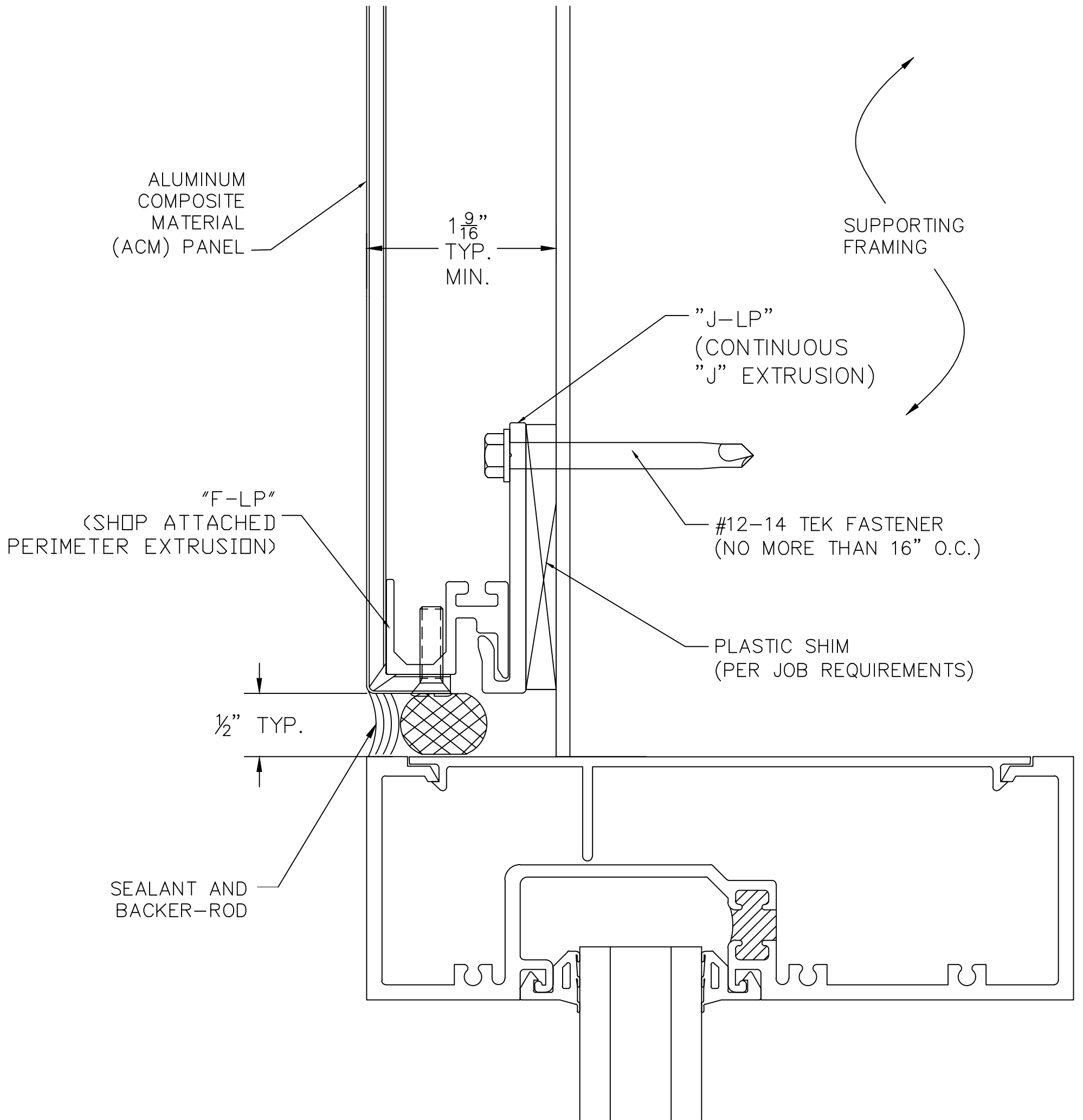
SCALE: NONE



8

PARAPET CONDITION

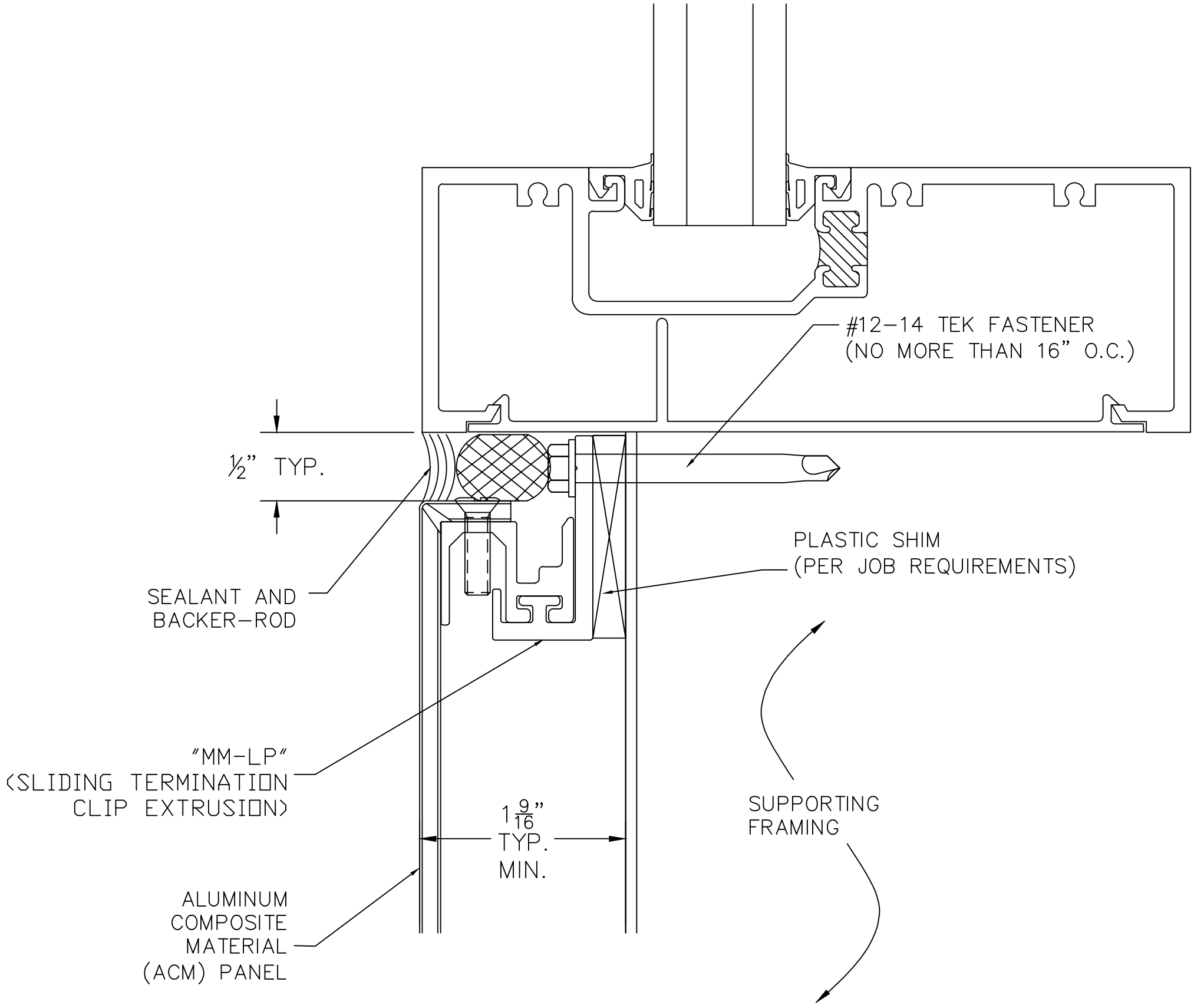
SCALE: NONE



9

WINDOW HEAD CONDITION

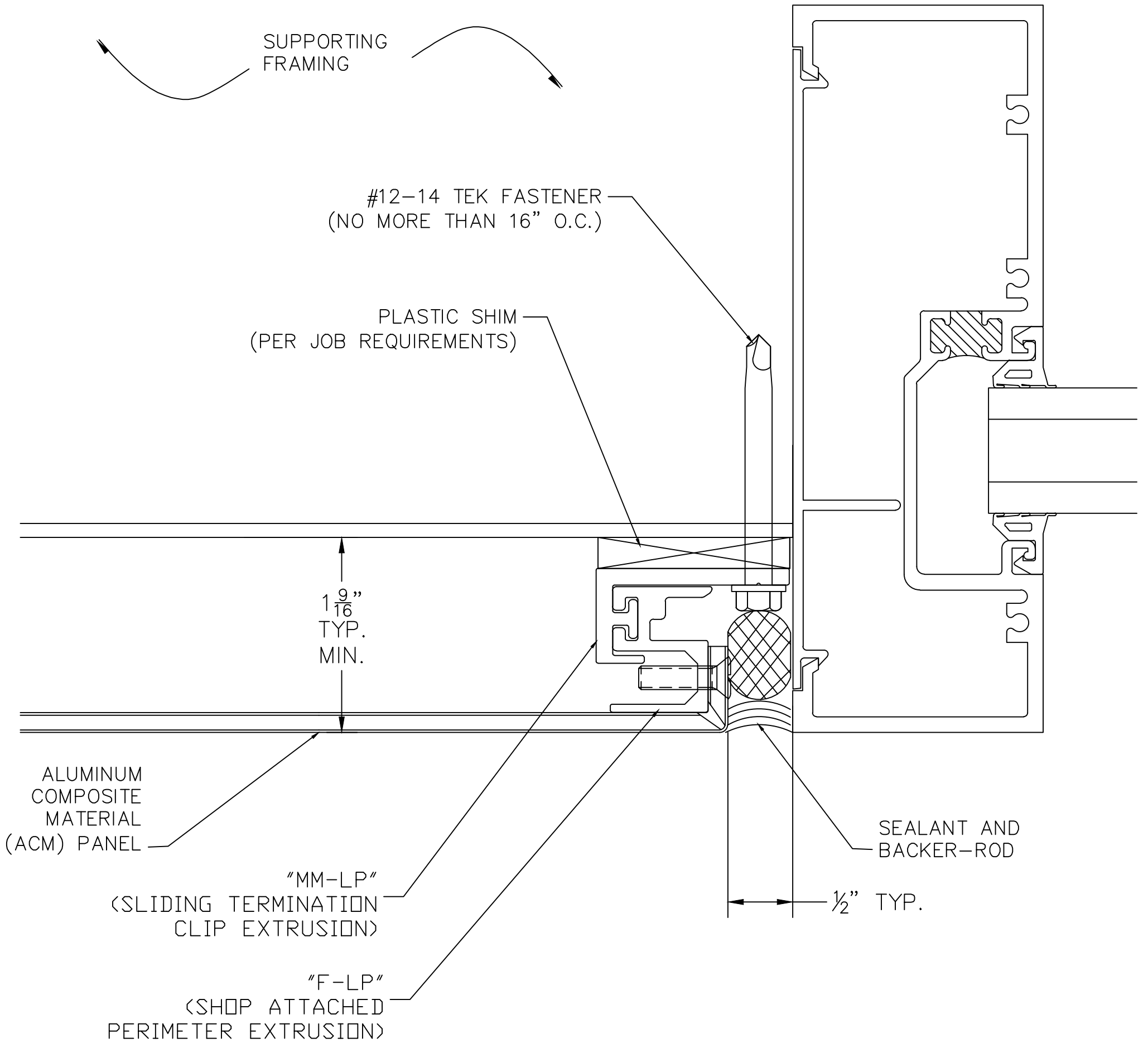
SCALE: NONE



10

WINDOW SILL CONDITION

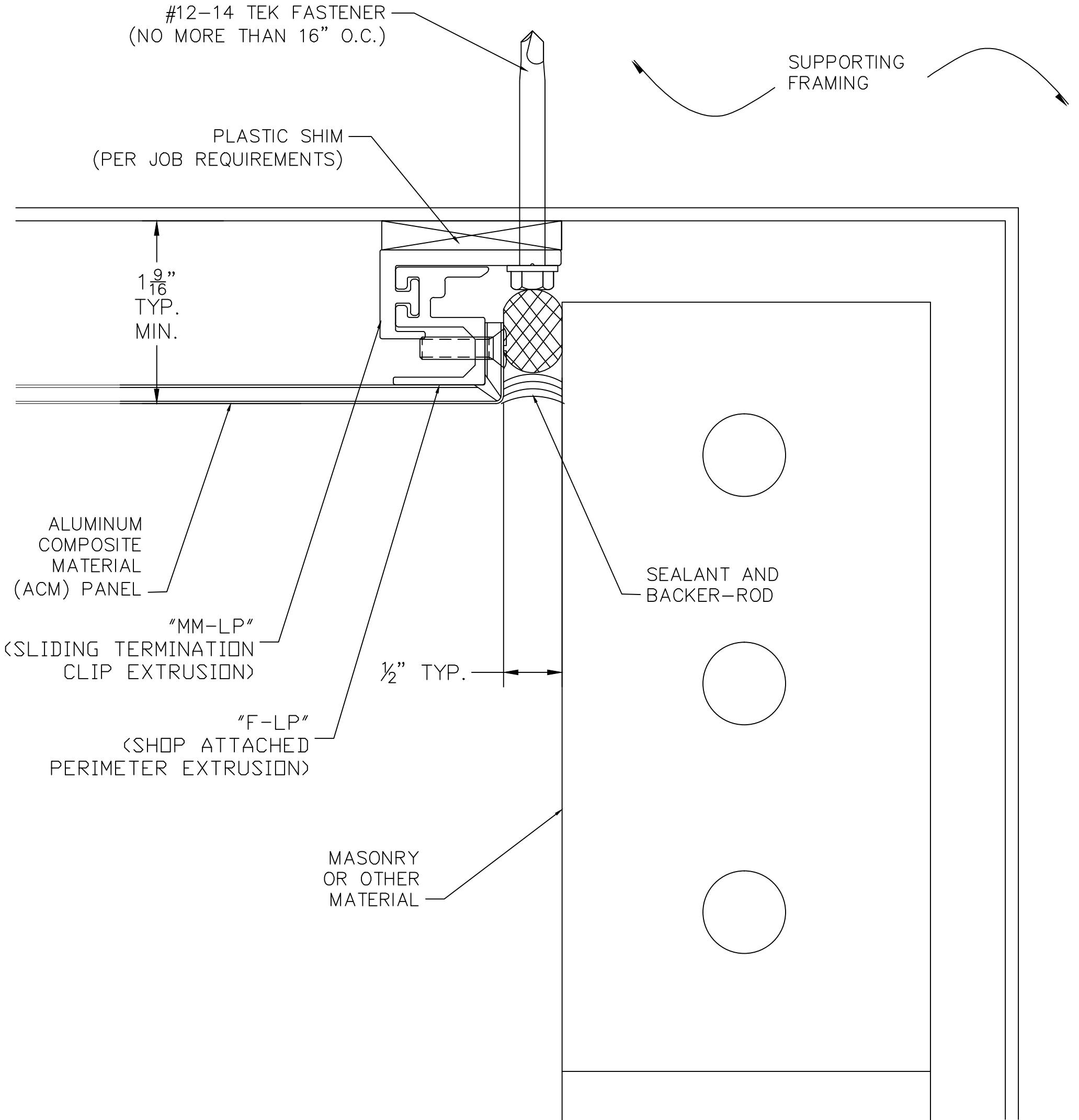
SCALE: NONE



11

WINDOW JAM CONDITION

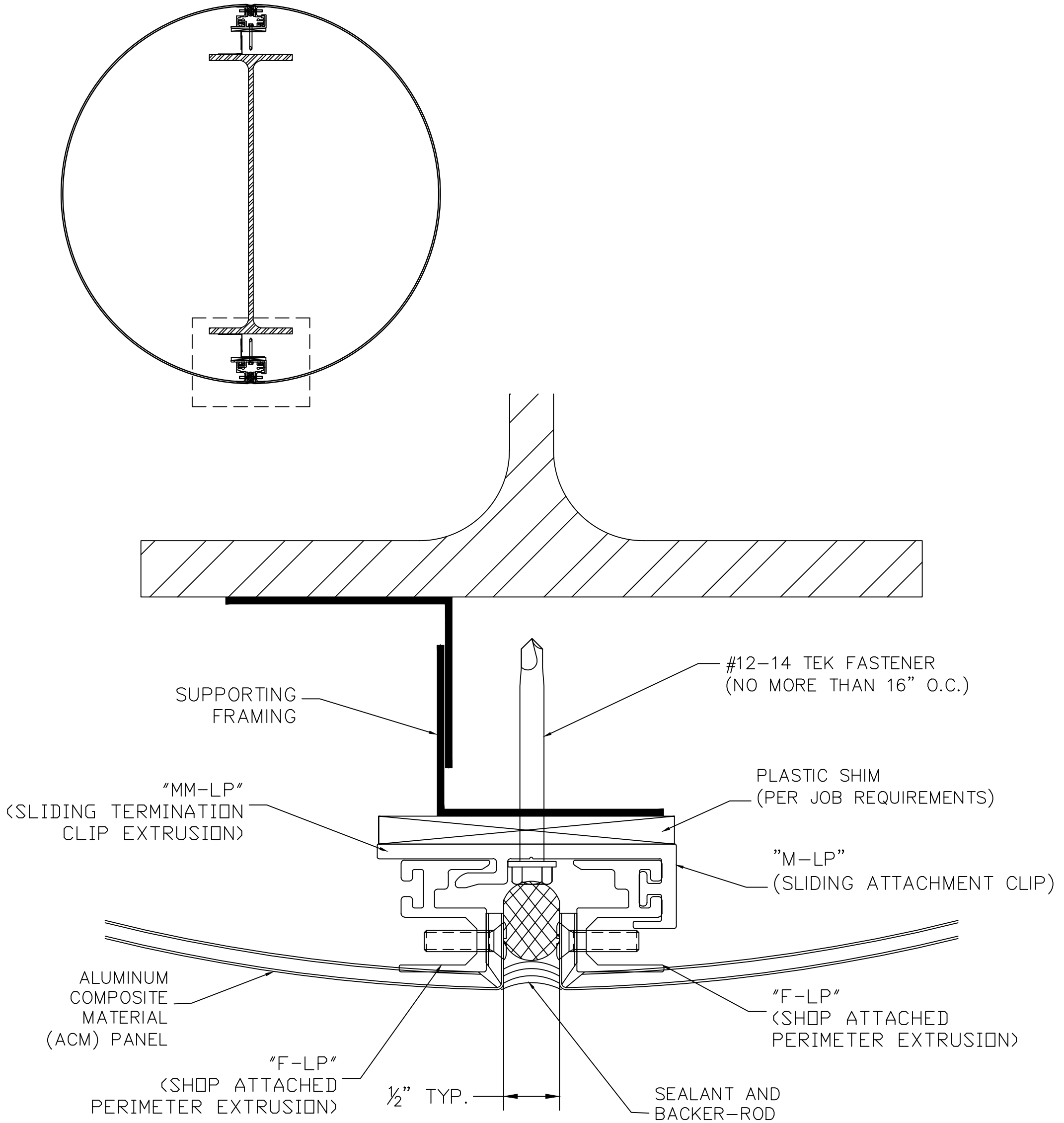
SCALE: NONE



12

JAM CONDITION @ BRICK

SCALE: NONE



13

COLUMN DETAIL

SCALE: NONE